

Z-CUBE

19" WALL-MOUNTED CABINETS



ZPAS
GROUP

solutions for connections



Z-CUBE 19"



Z-CUBE 600, 21U

SINGLE OR DOUBLE-SECTION WALL-MOUNTED CABINETS WITH REMOVABLE SIDE PANELS

- Designed for indoor applications.
- Available in two depths (450 and 600 mm) and six usable heights (from 6 to 21 U).
- The cabinet 450 mm deep can be equipped with an additional body, fixed to its rear wall with two or three hinges and a lock. This creates a double-section cabinet 600 mm deep.
- The design of the cabinet is based on a welded body, glazed front door and two removable side panels.
- The cabinet is equipped with two adjustable 19" mounting angles with depth regulation.
- Top and bottom plates have cable openings covered with knock-out blanking plates and venting grids with holes for fan assembling.
- Door and side panels can be installed without tools.
- It is possible to change door opening direction and opening of the additional rear body direction.
- Bodies, door and side panels are equipped with earthing pins.
- The cabinet is without a rear panel.

TECHNICAL DATA

Protection degree

IP 20 in accordance with EN 60529 (if the cabinet is mounted on the solid flat wall).

Maximum load capacity

60 kg for Z-CUBE 600 and Z-CUBE 450 single-section cabinets, 30 kg for Z-CUBE 450+150 double-section cabinet.

Material

Steel sheet, clear mineral safety glass.

Surface finishing

Body, side panels, side elements of glazed door – powder paint, light grey (RAL 7035) or black (RAL 9005).

Mounting angles – Al-Zn coated.

SCOPE OF DELIVERY

Z-CUBE 600 or 450 single-section cabinet:

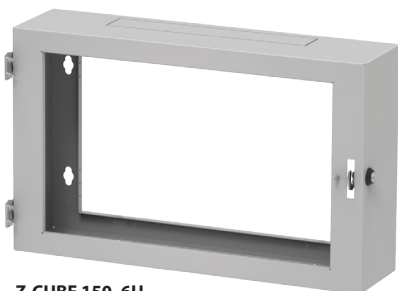
body, glazed door with a lock, 2 side panels with one lock each, 2 mounting angles.

Z-CUBE 150 rear body for Z-CUBE 450 cabinet:

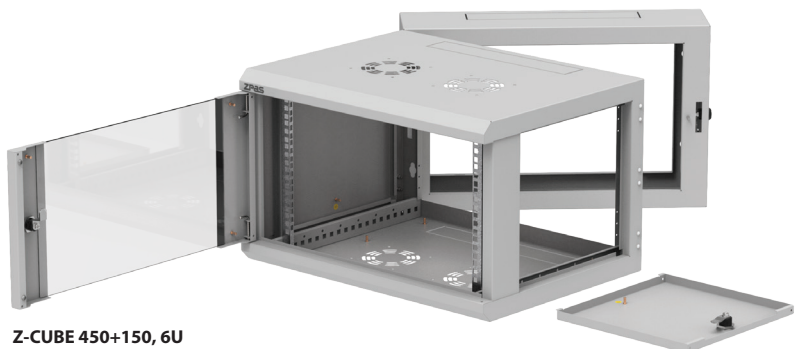
body, 2 or 3 hinges, 1 lock.



Z-CUBE 600, 15U

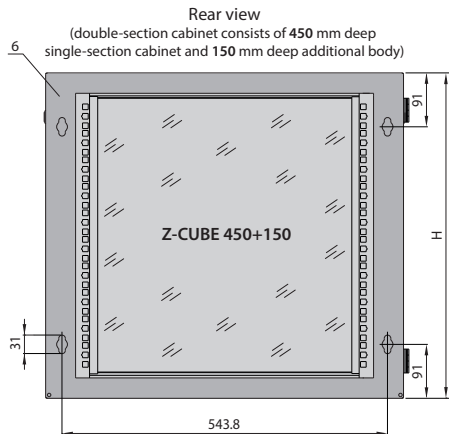
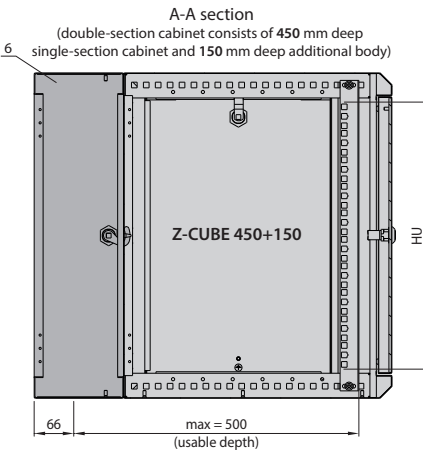
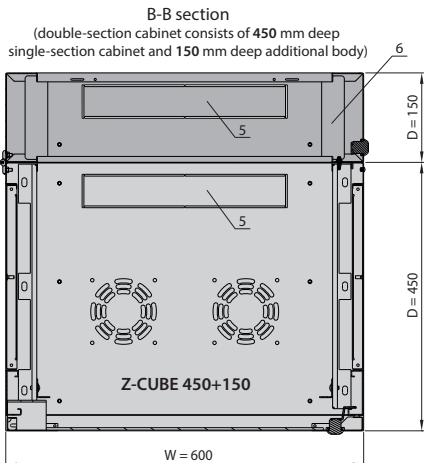
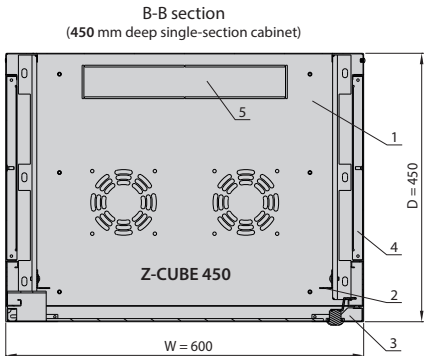
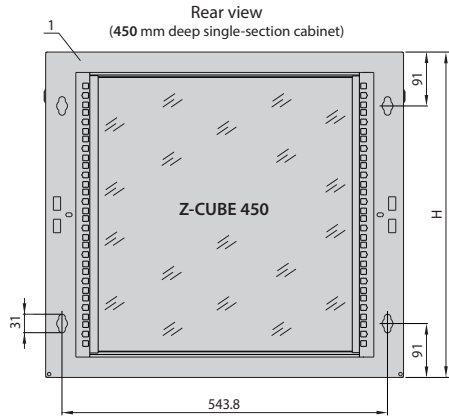
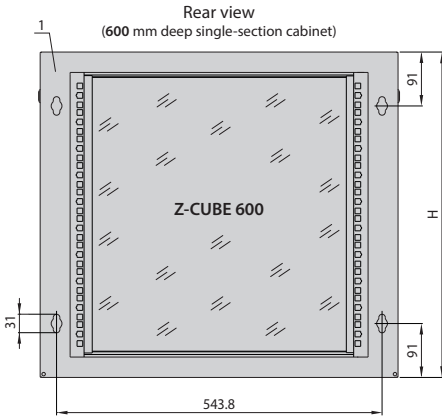
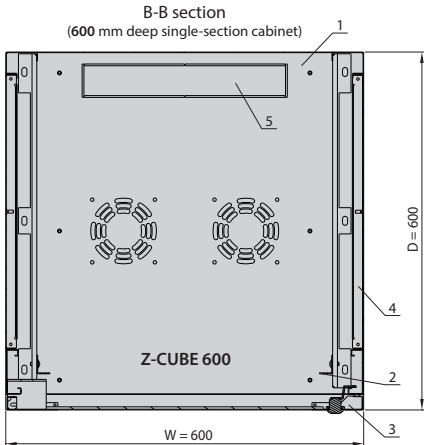
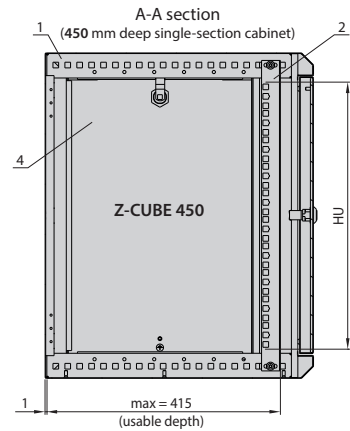
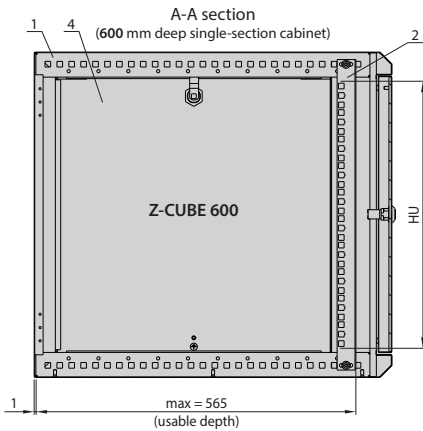
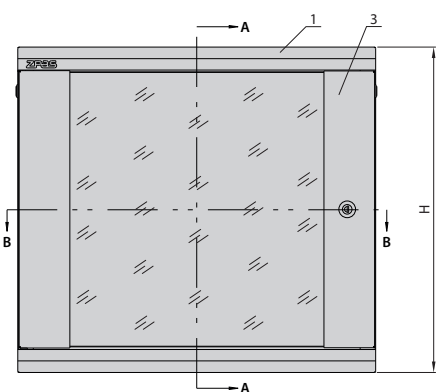


Z-CUBE 150, 6U



Z-CUBE 450+150, 6U

Z-CUBE 19"



DESIGN

Basic elements of the cabinet:

- 1. Cabinet's body
- 2. Mounting angle
- 3. Door
- 4. Side panel
- 5. Knock-out blanking plate 56 x 344 mm

Additional element:

- 6. Rear body 150 mm deep

Z-CUBE 19"



REFERENCE CHART

Product name	With W [mm]	Depth D [mm]	Height H [mm]	Usable height HU [U = 44,45 mm]	Catalogue number	
					RAL 7035	RAL 9005
Z-CUBE 600 wall-mounted cabinet	600	600	1033	21 U	WZ-8180-30-06-011	WZ-8180-30-06-161
			900	18 U	WZ-8180-30-05-011	WZ-8180-30-05-161
			767	15 U	WZ-8180-30-04-011	WZ-8180-30-04-161
			634	12 U	WZ-8180-30-03-011	WZ-8180-30-03-161
			546	10 U	WZ-8180-30-02-011	WZ-8180-30-02-161
			368	6 U	WZ-8180-30-01-011	WZ-8180-30-01-161
Z-CUBE 450 wall-mounted cabinet	600	450	1033	21 U	WZ-8180-20-06-011	WZ-8180-20-06-161
			900	18 U	WZ-8180-20-05-011	WZ-8180-20-05-161
			767	15 U	WZ-8180-20-04-011	WZ-8180-20-04-161
			634	12 U	WZ-8180-20-03-011	WZ-8180-20-03-161
			546	10 U	WZ-8180-20-02-011	WZ-8180-20-02-161
			368	6 U	WZ-8180-20-01-011	WZ-8180-20-01-161
Z-CUBE 150 rear body (for Z-CUBE 450 wall-mounted cabinet)	600	150	1033	21 U	WZ-8180-16-06-011	WZ-8180-16-06-161
			900	18 U	WZ-8180-16-05-011	WZ-8180-16-05-161
			767	15 U	WZ-8180-16-04-011	WZ-8180-16-04-161
			634	12 U	WZ-8180-16-03-011	WZ-8180-16-03-161
			546	10 U	WZ-8180-16-02-011	WZ-8180-16-02-161
			368	6 U	WZ-8180-16-01-011	WZ-8180-16-01-161
Earthing set for Z-CUBE cabinet (earthing strip, earthing cables for door and side panels, fixing elements)					WZ-2733-13-00-000	



ZPAS

We reserve the right to modernise and modify our products. Technical modifications shall not affect product functionality. Misprints and errors of content that may be found in this catalogue may not be used as a basis for complaints.

Edition: 10.2021 EN

ZPAS S.A.

PRZYGÓRZE 209 · 57-431 WOLIBÓRZ · POLAND

TEL.: +48 74 872 01 00 · FAX: +48 74 872 40 74

ZPAS

INFO@ZPAS.PL · WWW.ZPAS.PL